

The Coolhex Control series DC3E2 is a line of off-thee self programmable controllers from ALNET for thermal management and fan speed control of DC fans. It monitors two 4-wire DC fans and generates alarm in the event of a fan failure or over temperature. Programmable set points in software to meet precise airflow and temperature requirements

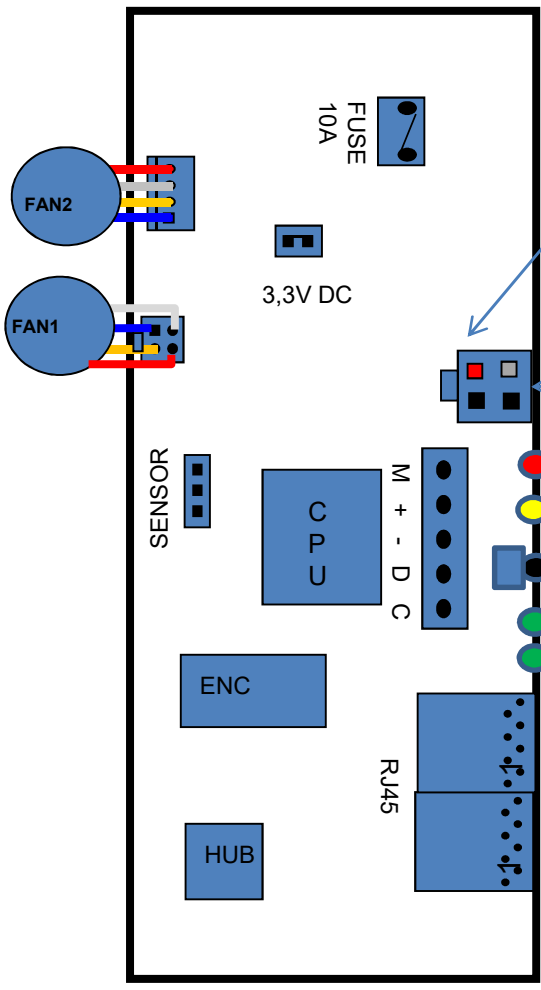
SPECIFICATIONS

- * Accepts two fans (option: four fans)
- * Monitors speed of 2-wire fans
- * Simultaneously controls each fans
- * Ethernet communication interfaces
- * Remote and Field configurable controller
- * Programmable alarm thresholds & fan curve
- * Power & Alarm LEDs with external connections
- * Isolated Fan and Logic power domains
- * Fan failure detection and prediction
- * Board can pass up to 5A continuously to fans
- * 12V to 65V input voltage range with no modifications
- * 25KHz PWM signal for 4-wire fan control
- * 1 onboard high precision thermistors
- * Fans controlled using inlet temperature
- * Over temperature alarm fan control
- * Low temperature fan shutoff with hysteresis turn on
- * Predictive and total fan failure detection
- * Has built in ethernet communication.
- * I2C is 3.3 V TTL
- * Open collector alarm output
- * EEPROM saves all configurations and restores the system during the next power cycle
- Mac adressed system with 80 port
- SNMP service
- 2-Ports 10/100Mbps



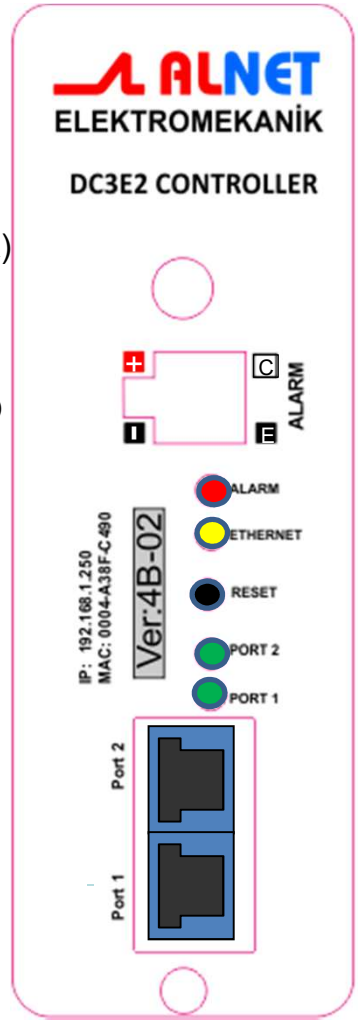
DC3E2

DC3E2 CONTROLLER layout



PCBA

- POWER INPUT**
DC IN 48V 5A
 +48V (Thick red)
 - GND (Thick black)
- ALARM OUT 70V 50ma**
 COLLECTOR (Thin black)
 EMITTER (Thin White)



FRONT PANEL

For factory settings, press reset button until the alarm LED flashing