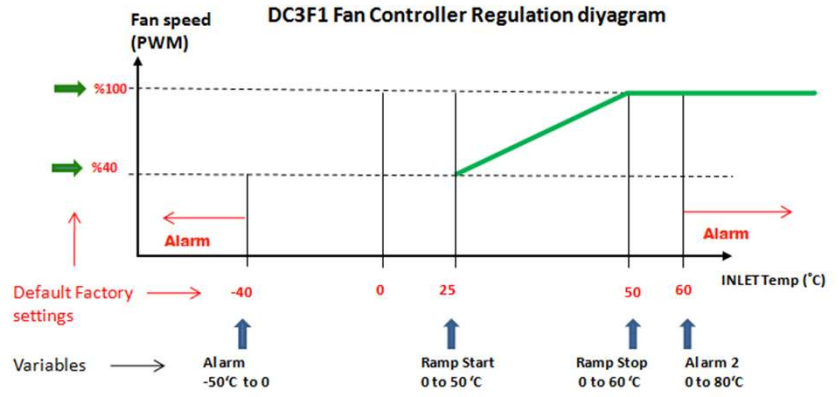
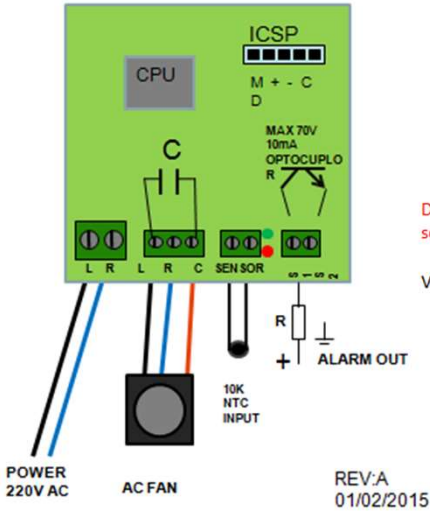


The Southerfly series AC1F1 is factory programmable controllers from ALNET for thermal management and fan speed control of AC fans. generates alarm in the event of a sensor failure or over temperature.

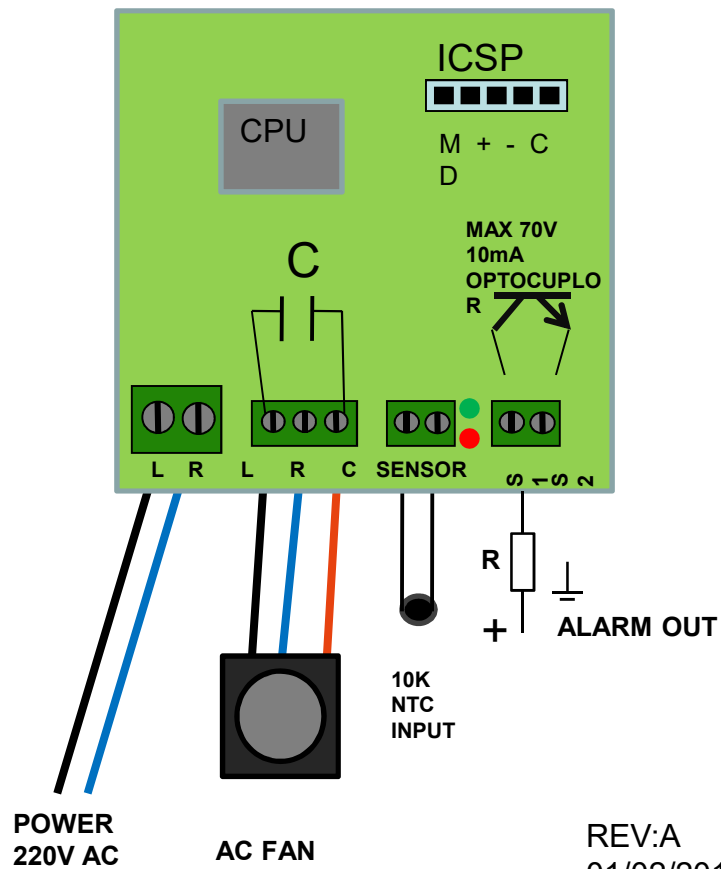
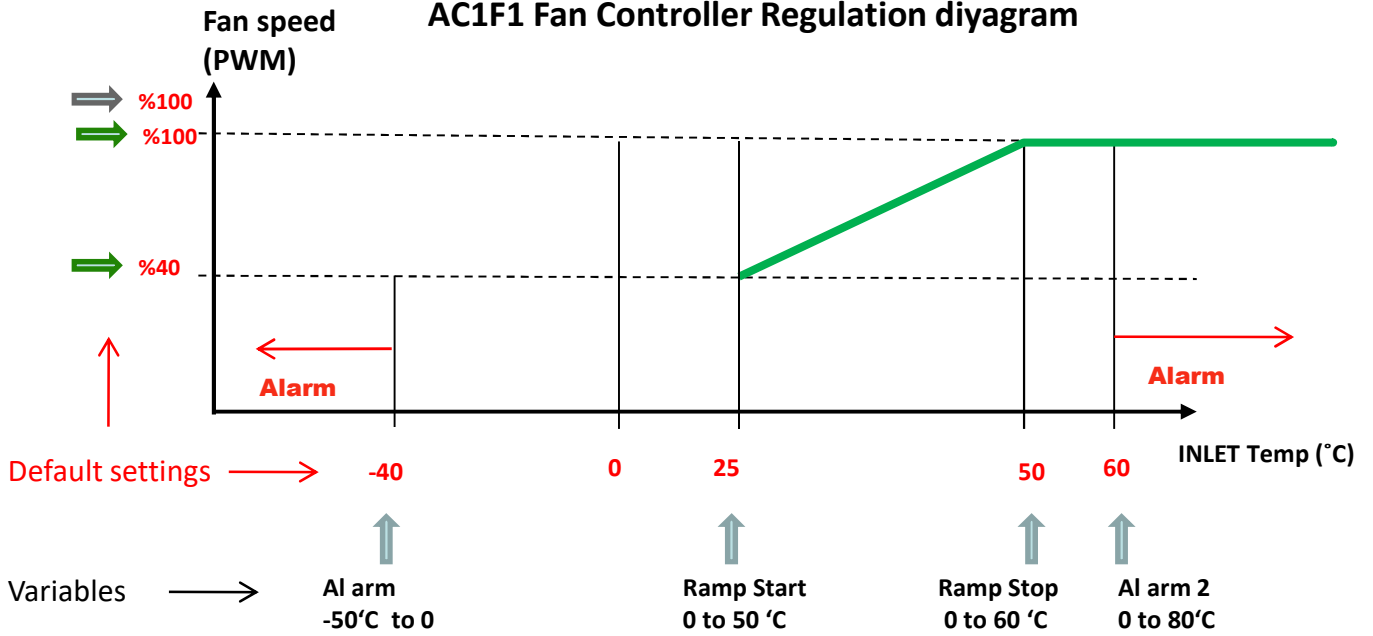


**SPECIFICATIONS**

- Accept 2 cables fans
- Programmable alarm thresholds & fan curve
- Power & Alarm LEDs with external connections
- Isolated Fan and Logic power domains
- \* Board can pass up to 1A continuously each fans
- 220V AC input
- One outer thermistor input
- \* Fans controlled using inlet temperature
- Over temperature alarm fan control
- \* Open collector alarm output
- On board power and alarm LEDs that are visible through the front panel.



### AC1F1 Fan Controller Regulation diyagram



REV:A  
 01/02/2015